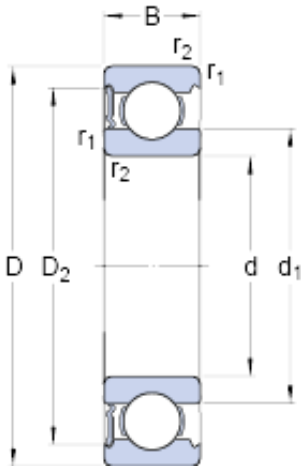




SNR Bearing Argentina



65 mm x 140 mm x 33 mm skf 6313-RS1 Deep groove ball bearings

Bearing No. 6313-RS1

6313-RS1 Bearing 2D drawings and 3D CAD models

Size	140x65x33 mm
Bore Diameter	140 mm
Outer Diameter	65 mm
Width	33 mm
d	65 mm
D	140 mm
B	33 mm
d ₁	88.35 mm
D ₂	121.3 mm
r _{1,2} - min.	2.1 mm
d _a - min.	77 mm
d _a - max.	88.3 mm
D _a - max.	128 mm
r _a - max.	2 mm
Basic dynamic load rating - C	97.5 kN
Basic static load rating - C ₀	60 kN
Fatigue load limit - P _u	2.5 kN
Limiting speed	3200 r/min
Calculation factor - k _r	0.03
Calculation factor - f ₀	13.2
Category	Single Row Ball Bearings
Inventory	0.0
Manufacturer Name	SKF
Minimum Buy Quantity	N/A



SNR Bearing Argentina

Weight / Kilogram	2.12
EAN	7316570169522
Product Group	B00308
Enclosure	1 Seal
Precision Class	ABEC 1 ISO P0
Maximum Capacity / Filling Slot	No
Rolling Element	Ball Bearing
Snap Ring	No
Internal Special Features	No
Cage Material	Steel
Enclosure Type	Contact Seal
Internal Clearance	C0-Medium
Inch - Metric	Metric
Long Description	65MM Bore; 140MM Outside Diameter; 33MM Outer Race Diameter; 1 Seal; Ball Bearing; ABEC 1 ISO P0; No Filling Slot; No Snap Ring; No Internal Special Features
Category	Single Row Ball Bearing
UNSPSC	31171504
Harmonized Tariff Code	8482.10.50.68
Noun	Bearing
Keyword String	Ball
Manufacturer URL	http://www.skf.com
Manufacturer Item Number	6313-RS1
Weight / LBS	4.66
Outside Diameter	5.512 Inch 140 Millimeter
Outer Race Width	1.299 Inch 33 Millimeter
Bore	2.559 Inch 65 Millimeter
d ₁	88.35 mm
D ₂	121.3 mm



SNR Bearing Argentina

$r_{1,2}$ min.	2.1 mm
d_a min.	77 mm
d_a max.	88.3 mm
D_a max.	128 mm
r_a max.	2 mm
Basic dynamic load rating C	97.5 kN
Basic static load rating C_0	60 kN
Fatigue load limit P_u	2.5 kN
Calculation factor k_r	0.03
Calculation factor f_0	13.2
Mass bearing	2.12 kg