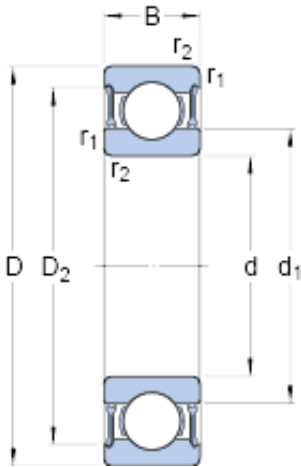




SNR Bearing Argentina



130 mm x 165 mm x 18 mm skf 61826-2RZ
Deep groove ball bearings

Bearing No. 61826-2RZ

61826-2RZ Bearing 2D drawings and 3D CAD models

Size	165x130x18 mm
Bore Diameter	165 mm
Outer Diameter	130 mm
Width	18 mm
d	130 mm
D	165 mm
B	18 mm
d ₁	140 mm
D ₂	157.7 mm
r _{1,2} - min.	1.1 mm
d _a - min.	136 mm
d _a - max.	139 mm
D _a - max.	159 mm
r _a - max.	1 mm
Basic dynamic load rating - C	37.7 kN
Basic static load rating - C ₀	43 kN
Fatigue load limit - P _u	1.6 kN
Reference speed	8000 r/min
Limiting speed	3800 r/min
Calculation factor - k _r	0.015
Calculation factor - f ₀	16.1
Category	Single Row Ball Bearings
Inventory	0.0
Manufacturer Name	SKF



SNR Bearing Argentina

Minimum Buy Quantity	N/A
Weight / Kilogram	0.812
EAN	7316577121738
Product Group	B00308
Enclosure	2 Seals
Precision Class	ABEC 1 ISO P0
Maximum Capacity / Filling Slot	No
Rolling Element	Ball Bearing
Snap Ring	No
Internal Special Features	No
Cage Material	Steel
Enclosure Type	Non-Contact Seal
Internal Clearance	C0-Medium
Inch - Metric	Metric
Long Description	130MM Bore; 165MM Outside Diameter; 18MM Outer Race Diameter; 2 Seals; Ball Bearing; ABEC 1 ISO P0; No Filling Slot; No Snap Ring; No Internal Special Features
Category	Single Row Ball Bearing
UNSPSC	31171504
Harmonized Tariff Code	8482.10.50.68
Noun	Bearing
Keyword String	Ball
Manufacturer URL	http://www.skf.com
Manufacturer Item Number	61826 2RZ
Weight / LBS	1.78
Bore	5.118 Inch 130 Millimeter
Outside Diameter	6.496 Inch 165 Millimeter
Outer Race Width	0.709 Inch 18 Millimeter
bore diameter:	130 mm



SNR Bearing Argentina

static load capacity:	43 kN
outside diameter:	165 mm
precision rating:	Not Rated
overall width:	18 mm
finish/coating:	Uncoated
bore type:	Round
cage material:	Steel
closure type:	Double Sealed
outer ring width:	18 mm
row type & fill slot:	Single Row Non-Fill Slot
fillet radius:	1 mm
internal clearance:	C0
maximum rpm:	3800 RPM
operating temperature range:	-40 to +210 ° F
series:	61
dynamic load capacity:	37.7 kN
d_1	140 mm
D_2	157.7 mm
$r_{1,2}$ min.	1.1 mm
d_a min.	136 mm
d_a max.	139 mm
D_a max.	159 mm
r_a max.	1 mm
Basic dynamic load rating C	37.7 kN
Basic static load rating C_0	43 kN
Fatigue load limit P_u	1.6 kN
Calculation factor k_r	0.015
Calculation factor f_0	16.1
Mass bearing	0.93 kg