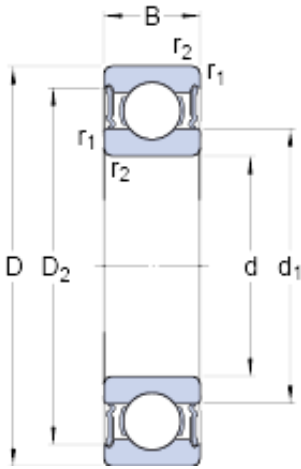




SNR Bearing Argentina



20 mm x 52 mm x 15 mm skf W 6304-2RS1 Deep groove ball bearings

Bearing No. W 6304-2RS1

W 6304-2RS1 Bearing 2D drawings and 3D CAD models

Size	52x20x15 mm
Bore Diameter	52 mm
Outer Diameter	20 mm
Width	15 mm
d	20 mm
D	52 mm
B	15 mm
d ₁	30 mm
D ₂	45.4 mm
r _{1,2} - min.	1.1 mm
d _a - min.	26.5 mm
d _a - max.	29.5 mm
D _a - max.	46 mm
r _a - max.	1 mm
Basic dynamic load rating - C	13.8 kN
Basic static load rating - C ₀	7.8 kN
Fatigue load limit - P _u	0.335 kN
Limiting speed	9500 r/min
Calculation factor - k _r	0.035
Calculation factor - f ₀	12.3
Category	Single Row Ball Bearings
Inventory	0.0
Manufacturer Name	SKF
Minimum Buy Quantity	N/A



SNR Bearing Argentina

Weight / Kilogram	0.135
EAN	7316570948912
Product Group	B00308
Enclosure	2 Seals
Precision Class	ABEC 1 ISO P0
Maximum Capacity / Filling Slot	No
Rolling Element	Ball Bearing
Snap Ring	No
Internal Special Features	No
Cage Material	Stainless Steel
Enclosure Type	Contact Seal
Internal Clearance	C0-Medium
Inch - Metric	Metric
Long Description	20MM Bore; 52MM Outside Diameter; 15MM Outer Race Width; 2 Seals; Ball Bearing; ABEC 1 ISO P0; No Filling Slot; No Snap Ring; No Internal Special Features; C0-Medium Internal Clearance; Stainless St
Other Features	Deep Groove NBR Seal
Category	Single Row Ball Bearing
UNSPSC	31171504
Harmonized Tariff Code	8482.10.50.68
Noun	Bearing
Keyword String	Ball
Manufacturer URL	http://www.skf.com
Weight / LBS	0.3219
Bore	0.787 Inch 20 Millimeter
Inner Race Width	0 Inch 0 Millimeter
Outer Race Width	0.591 Inch 15 Millimeter
Outside Diameter	2.047 Inch 52 Millimeter



SNR Bearing Argentina

d_1	30 mm
D_2	45.4 mm
$r_{1,2}$ min.	1.1 mm
d_a min.	26.5 mm
d_a max.	29.5 mm
D_a max.	46 mm
r_a max.	1 mm
Basic dynamic load rating C	13.8 kN
Basic static load rating C_0	7.8 kN
Fatigue load limit P_u	0.335 kN
Calculation factor k_r	0.035
Calculation factor f_0	12.3
Mass bearing	0.14 kg