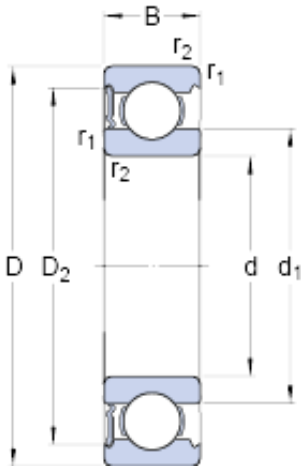




## SNR Bearing Argentina



6209-RS1 Bearing 2D drawings and 3D CAD models

45 mm x 85 mm x 19 mm skf 6209-RS1 Deep groove ball bearings

Bearing No. 6209-RS1

Size	85x45x19 mm
Bore Diameter	85 mm
Outer Diameter	45 mm
Width	19 mm
d	45 mm
D	85 mm
B	19 mm
d <sub>1</sub>	57.6 mm
D <sub>2</sub>	75.19 mm
r <sub>1,2</sub> - min.	1.1 mm
d <sub>a</sub> - min.	52 mm
d <sub>a</sub> - max.	57.5 mm
D <sub>a</sub> - max.	78 mm
r <sub>a</sub> - max.	1 mm
Basic dynamic load rating - C	35.1 kN
Basic static load rating - C <sub>0</sub>	21.6 kN
Fatigue load limit - P <sub>u</sub>	0.915 kN
Limiting speed	5000 r/min
Calculation factor - k <sub>r</sub>	0.025
Calculation factor - f <sub>0</sub>	14.2
Category	Single Row Ball Bearings
Inventory	0.0
Manufacturer Name	SKF
Minimum Buy Quantity	N/A



## SNR Bearing Argentina

Weight / Kilogram	0.424
EAN	7316577737847
Product Group	B00308
Enclosure	1 Seal
Precision Class	ABEC 1   ISO P0
Maximum Capacity / Filling Slot	No
Rolling Element	Ball Bearing
Snap Ring	No
Internal Special Features	No
Cage Material	Steel
Enclosure Type	Contact Seal
Internal Clearance	C0-Medium
Inch - Metric	Metric
Long Description	45MM Bore; 85MM Outside Diameter; 19MM Outer Race Diameter; 1 Seal; Ball Bearing; ABEC 1   ISO P0; No Filling Slot; No Snap Ring; No Internal Special Features
Category	Single Row Ball Bearing
UNSPSC	31171504
Harmonized Tariff Code	8482.10.50.68
Noun	Bearing
Keyword String	Ball
Manufacturer URL	<a href="http://www.skf.com">http://www.skf.com</a>
Manufacturer Item Number	6209-RS1
Weight / LBS	0.93
Outer Race Width	0.748 Inch   19 Millimeter
Outside Diameter	3.346 Inch   85 Millimeter
Bore	1.772 Inch   45 Millimeter
d <sub>1</sub>	57.6 mm
D <sub>2</sub>	75.19 mm



## SNR Bearing Argentina

$r_{1,2}$ min.	1.1 mm
$d_a$ min.	52 mm
$d_a$ max.	57.5 mm
$D_a$ max.	78 mm
$r_a$ max.	1 mm
Basic dynamic load rating C	35.1 kN
Basic static load rating $C_0$	21.6 kN
Fatigue load limit $P_u$	0.915 kN
Calculation factor $k_r$	0.025
Calculation factor $f_0$	14.2
Mass bearing	0.42 kg