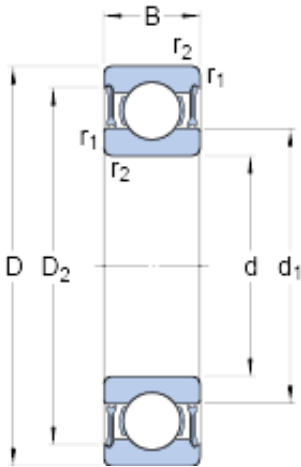




## SNR Bearing Argentina



40 mm x 52 mm x 7 mm skf W 61808-2RZ Deep groove ball bearings

Bearing No. W 61808-2RZ

W 61808-2RZ Bearing 2D drawings and 3D CAD models

Size	52x40x7 mm
Bore Diameter	52 mm
Outer Diameter	40 mm
Width	7 mm
d	40 mm
D	52 mm
B	7 mm
d <sub>1</sub>	43.21 mm
D <sub>2</sub>	48.99 mm
r <sub>1,2</sub> - min.	0.3 mm
D <sub>a</sub> - max.	50 mm
r <sub>a</sub> - max.	0.3 mm
Basic dynamic load rating - C	3.9 kN
Basic static load rating - C <sub>0</sub>	3.8 kN
Fatigue load limit - P <sub>u</sub>	0.16 kN
Reference speed	26000 r/min
Limiting speed	13000 r/min
Calculation factor - k <sub>r</sub>	0.02
Calculation factor - f <sub>0</sub>	14.6
d <sub>1</sub>	43.21 mm
D <sub>2</sub>	48.94 mm
r <sub>1,2</sub> min.	0.3 mm
d <sub>a</sub> min.	42 mm
d <sub>a</sub> max.	43 mm



## SNR Bearing Argentina

$D_a$ max.	50 mm
$r_a$ max.	0.3 mm
Basic dynamic load rating C	3.9 kN
Basic static load rating $C_0$	3.75 kN
Fatigue load limit $P_u$	0.16 kN
Calculation factor $k_r$	0.02
Calculation factor $f_0$	14.6
Mass bearing	0.032 kg