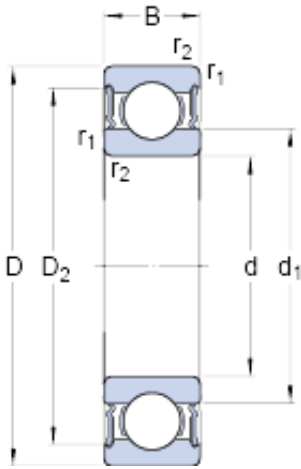




SNR Bearing Argentina



95 mm x 145 mm x 24 mm skf 6019-2RS1 Deep groove ball bearings

Bearing No. 6019-2RS1

6019-2RS1 Bearing 2D drawings and 3D CAD models

| | |
|---|--------------------------|
| Size | 145x95x24 mm |
| Bore Diameter | 145 mm |
| Outer Diameter | 95 mm |
| Width | 24 mm |
| d | 95 mm |
| D | 145 mm |
| B | 24 mm |
| d ₁ | 111.4 mm |
| D ₂ | 133.3 mm |
| r _{1,2} - min. | 1.5 mm |
| d _a - min. | 102 mm |
| d _a - max. | 111 mm |
| D _a - max. | 138 mm |
| r _a - max. | 1.5 mm |
| Basic dynamic load rating - C | 63.7 kN |
| Basic static load rating - C ₀ | 54 kN |
| Fatigue load limit - P _u | 2.1 kN |
| Limiting speed | 2800 r/min |
| Calculation factor - k _r | 0.025 |
| Calculation factor - f ₀ | 15.8 |
| Category | Single Row Ball Bearings |
| Inventory | 0.0 |
| Manufacturer Name | SKF |
| Minimum Buy Quantity | N/A |



SNR Bearing Argentina

| | |
|---------------------------------|--|
| Weight / Kilogram | 1.3 |
| EAN | 7316577747921 |
| Product Group | B00308 |
| Enclosure | 2 Seals |
| Precision Class | ABEC 1 ISO P0 |
| Maximum Capacity / Filling Slot | No |
| Rolling Element | Ball Bearing |
| Snap Ring | No |
| Internal Special Features | No |
| Cage Material | Steel |
| Enclosure Type | Contact Seal |
| Internal Clearance | C0-Medium |
| Inch - Metric | Metric |
| Long Description | 95MM Bore; 145MM Outside Diameter; 24MM Outer Race Diameter; 2 Seals; Ball Bearing; ABEC 1 ISO P0; No Filling Slot; No Snap Ring; No Internal Special Features |
| Category | Single Row Ball Bearing |
| UNSPSC | 31171504 |
| Harmonized Tariff Code | 8482.10.50.68 |
| Noun | Bearing |
| Keyword String | Ball |
| Manufacturer URL | http://www.skf.com |
| Manufacturer Item Number | 6019-2RS1 |
| Weight / LBS | 2.87 |
| Outside Diameter | 5.709 Inch 145 Millimeter |
| Outer Race Width | 0.945 Inch 24 Millimeter |
| Bore | 3.74 Inch 95 Millimeter |
| bore diameter: | 95 mm |
| static load capacity: | 54 kN |
| | |



SNR Bearing Argentina

| | |
|--------------------------------|--------------------------|
| outside diameter: | 145 mm |
| precision rating: | Not Rated |
| overall width: | 24 mm |
| finish/coating: | Uncoated |
| bore type: | Round |
| cage material: | Steel |
| closure type: | Double Sealed |
| outer ring width: | 24 mm |
| row type & fill slot: | Single Row Non-Fill Slot |
| fillet radius: | 1.5 mm |
| internal clearance: | C0 |
| maximum rpm: | 2800 RPM |
| operating temperature range: | -40 to +210 ° F |
| series: | 60 |
| dynamic load capacity: | 63.7 kN |
| d_1 | 111.4 mm |
| D_2 | 133.3 mm |
| $r_{1,2}$ min. | 1.5 mm |
| d_a min. | 102 mm |
| d_a max. | 111 mm |
| D_a max. | 138 mm |
| r_a max. | 1.5 mm |
| Basic dynamic load rating C | 63.7 kN |
| Basic static load rating C_0 | 54 kN |
| Fatigue load limit P_u | 2.08 kN |
| Calculation factor k_r | 0.025 |
| Calculation factor f_0 | 15.8 |
| Mass bearing | 1.25 kg |