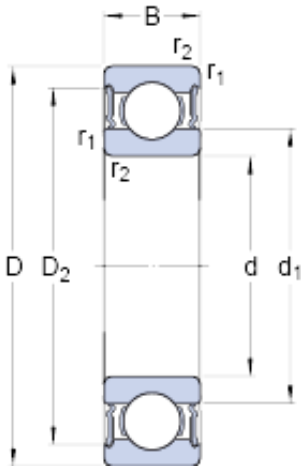




## SNR Bearing Argentina



22.225 mm x 50.8 mm x 14.288 mm skf RLS  
7-2RS1 Deep groove ball bearings

Bearing No. RLS 7-2RS1

RLS 7-2RS1 Bearing 2D drawings and 3D CAD models

Size	50.8x22.225x14.288 mm
Bore Diameter	50,8 mm
Outer Diameter	22,225 mm
Width	14,288 mm
d	22.225 mm
D	50.8 mm
B	14.288 mm
d <sub>1</sub>	32.2 mm
D <sub>2</sub>	44 mm
r <sub>1,2</sub> - min.	1.6 mm
d <sub>a</sub> - min.	29.5 mm
D <sub>a</sub> - max.	43 mm
r <sub>a</sub> - max.	1.5 mm
Basic dynamic load rating - C	14 kN
Basic static load rating - C <sub>0</sub>	7.6 kN
Fatigue load limit - P <sub>u</sub>	0.325 kN
Limiting speed	9000 r/min
Calculation factor - k <sub>r</sub>	0.025
Calculation factor - f <sub>0</sub>	13.6
Category	Single Row Ball Bearings
Inventory	0.0
Manufacturer Name	SKF
Minimum Buy Quantity	N/A
Weight / Kilogram	0.129



## SNR Bearing Argentina

EAN	7316577017666
Product Group	B00308
Enclosure	2 Seals
Precision Class	ABEC 1   ISO P0
Maximum Capacity / Filling Slot	No
Rolling Element	Ball Bearing
Snap Ring	No
Internal Special Features	No
Cage Material	Steel
Enclosure Type	Contact Seal
Internal Clearance	C0-Medium
Inch - Metric	Inch
Long Description	7/8" Bore; 2" Outside Diameter; 9/16" Outer Race Width; 2 Seals; Ball Bearing; ABEC 1   ISO P0; No Filling Slot; No Snap Ring; No Internal Special Features
Category	Single Row Ball Bearing
UNSPSC	31171504
Harmonized Tariff Code	8482.10.50.68
Noun	Bearing
Keyword String	Ball
Manufacturer URL	<a href="http://www.skf.com">http://www.skf.com</a>
Manufacturer Item Number	RLS 7-2RS1
Weight / LBS	0.284
Outer Race Width	0.563 Inch   14.3 Millimeter
Bore	0.875 Inch   22.225 Millimeter
Outside Diameter	2 Inch   50.8 Millimeter
bore diameter:	0.8750 in
static load capacity:	7.65 kN
outside diameter:	2.0000 in



## SNR Bearing Argentina

precision rating:	Not Rated
overall width:	0.5625 in
finish/coating:	Uncoated
bore type:	Round
outer ring width:	14.287 mm
closure type:	Open
fillet radius:	1.5 mm
row type & fill slot:	Single Row Non-Fill Slot
maximum rpm:	9000 RPM
internal clearance:	C0
series:	RLS
dynamic load capacity:	14 kN
$d_1$	32.2 mm
$D_2$	44 mm
$r_{1,2}$ min.	1.6 mm
$d_a$ min.	29.5 mm
$D_a$ max.	43 mm
$r_a$ max.	1.5 mm
Basic dynamic load rating C	14 kN
Basic static load rating $C_0$	7.65 kN
Fatigue load limit $P_u$	0.325 kN
Calculation factor $k_r$	0.025
Calculation factor $f_0$	13.6
Mass bearing	0.13 kg