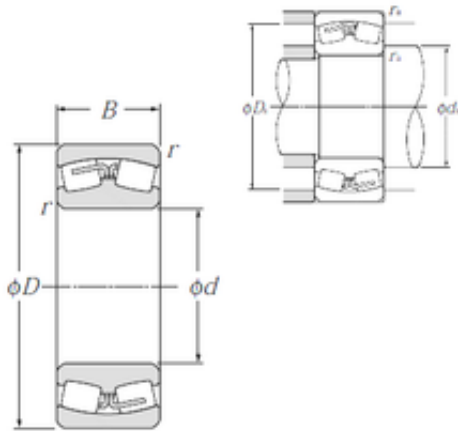




# SNR Bearing Argentina

## 320 mm x 580 mm x 150 mm NTN 22264B Double row spherical roller bearings



Bearing No. 22264B

22264B Bearing 2D drawings and 3D CAD models

Size	320x580x150 mm
Bore Diameter	320 mm
Outer Diameter	580 mm
Width	150 mm
d	320 mm
D	580 mm
B	150 mm
C	150 mm
r min.	5 mm
da min.	342 mm
Da max.	558 mm
ra max.	4 mm
Weight	172 Kg
Basic dynamic load rating (C)	3 100 kN
Basic static load rating (C0)	5 050 kN
(Grease) Lubrication Speed	660 r/min
(Oil) Lubrication Speed	860 r/min
Calculation factor (e)	0,26
Calculation factor (Y0)	2,51
Calculation factor (Y1)	2,57
d2	407 mm
D1	503.5 mm
rs min	5 mm
Number of lubrication holes	8
b	20 mm



## SNR Bearing Argentina

k	12 mm
e	0.26
Y1	2.57
Y2	3.83
Y0	2.51
Radial clearance class	CN
Dynamic load, C	3,100 kN
Static load, C0	5,050 kN
Fatigue limit load, Cu	430 kN
Nref	800 rpm
Nlim	1,000 rpm
Min operating temperature, Tmin	-40 ° C
Max operating temperature, Tmax	120 ° C
Characteristic cage frequency, FTF	0.43 Hz
Characteristic rolling element frequency, BSF	6.94 Hz
Characteristic outer ring frequency, BPF0	8.18 Hz
Characteristic inner ring frequency, BPFI	10.82 Hz
da min	340 mm
Da max	560 mm
ra max	4 mm
Category	Bearings
Inventory	0.0
Manufacturer Name	NTN
Minimum Buy Quantity	N/A
Weight / Kilogram	168
EAN	4547359268249
Product Group	B04311