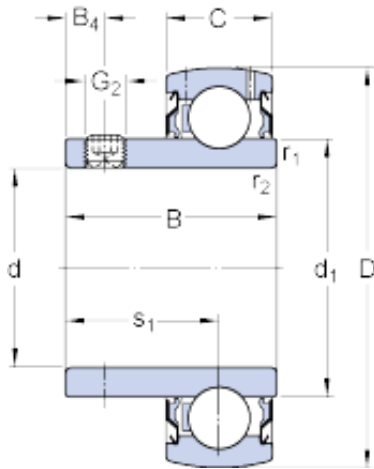




SNR Bearing Argentina



50.8 mm x 100 mm x 45 mm skf YAT 211-200
Insert bearings (Y-bearings)

Bearing No. YAT 211-200

YAT 211-200 Bearing 2D drawings and 3D CAD models

Size	100x50.8x45 mm
Bore Diameter	100 mm
Outer Diameter	50,8 mm
Width	45 mm
d	50.8 mm
D	100 mm
B	45 mm
C	25 mm
d ₁	69.06 mm
B ₄	9 mm
r _{1,2} - min.	1 mm
s ₁	32.5 mm
Basic dynamic load rating - C	43.6 kN
Basic static load rating - C ₀	29 kN
Fatigue load limit - P _u	1.2 kN
Limiting speed with shaft tolerance h6	3600 r/min
Calculation factor - f ₀	14
Mass bearing	1.05 kg
Thread - G ₂ - 3/8-24 UNF	3/824 UNF
Hexagonal key size for grub screw - H	4.762 mm
Category	Insert Bearings Spherical OD
Inventory	0.0



SNR Bearing Argentina

Manufacturer Name	SKF
Minimum Buy Quantity	N/A
Weight / Kilogram	0.95
EAN	7316571504469
Product Group	M06110
Inner Race Profile	Narrow Inner Ring
Outer Race Profile	Spherical
Relubricatable	Yes
Seal Type	M Seal
Mounting Method	Set Screw
Rolling Element	Ball Bearing
Snap Ring	No
Long Description	2" Bore; Narrow Inner Ring; Ball Bearing; 1.772" Length Thru Bore; 63/64" Outer Race Width; 3.937" Outside Diameter; Relubricatable; M Seal Seal; Set Screw Mounting Method
Inch - Metric	Inch
Other Features	Single Row Standard Duty Grub Screw
Category	Insert Bearings
UNSPSC	31171536
Harmonized Tariff Code	8482.10.50.00
Noun	Bearing
Keyword String	Insert
Manufacturer URL	http://www.skf.com
Manufacturer Item Number	YAT 211-200
Weight / LBS	2.09
Bore	2 Inch 50.8 Millimeter
Outside Diameter	3.937 Inch 100 Millimeter
Outer Race Width	0.984 Inch 24.994 Millimeter
Length Thru Bore	1.772 Inch 45.009



SNR Bearing Argentina

	Millimeter
bore diameter:	2.0000 in
locking device:	Set Screw
outside diameter:	3.9370 in
radial dynamic load capacity:	43.6 kN
outer ring width:	25 mm
radial static load capacity:	29 kN
inner ring width:	45 mm
finish/coating:	Uncoated
bore type:	Round
maximum rpm:	3600 RPM
d_1	69.06 mm
B_4	9 mm
$r_{1,2}$ min.	1 mm
s_1	32.5 mm
Basic dynamic load rating C	43.6 kN
Basic static load rating C_0	29 kN
Fatigue load limit P_u	1.25 kN
Limiting speed ¹⁾	3600 r/min
Calculation factor f_0	14
Mass complete bearing	1 kg
Thread grub screw G_2	3/8-24 UNF
Hexagonal key size for grub screw N	4.763 mm
Recommended tightening torque for grub screw	16.5 N · m