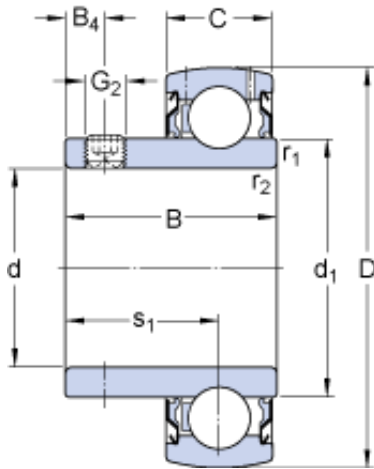




## SNR Bearing Argentina



25.4 mm x 52 mm x 27.2 mm skf YAT 205-100  
Insert bearings (Y-bearings)

Bearing No. YAT 205-100

YAT 205-100 Bearing 2D drawings and 3D CAD models

|   |                              |
|---|------------------------------|
| Size                                      | 52x25.4x27.2 mm              |
| Bore Diameter                             | 52 mm                        |
| Outer Diameter                            | 25,4 mm                      |
| Width                                     | 27,2 mm                      |
| d   | 25.4 mm                      |
| D   | 52 mm                        |
| B   | 27.2 mm                      |
| C   | 15 mm                        |
| d <sub>1</sub>                            | 33.74 mm                     |
| B <sub>4</sub>                            | 5 mm                         |
| r <sub>1,2</sub> - min.                   | 0.6 mm                       |
| s <sub>1</sub>                            | 19.5 mm                      |
| Basic dynamic load rating - C             | 14 kN                        |
| Basic static load rating - C <sub>0</sub> | 7.8 kN                       |
| Fatigue load limit - P <sub>u</sub>       | 0.335 kN                     |
| Limiting speed with shaft tolerance h6    | 7000 r/min                   |
| Calculation factor - f <sub>0</sub>       | 14                           |
| Mass bearing                              | 0.16 kg                      |
| Thread - G <sub>2</sub> - 1/4-28 UNF      | 1/428 UNF                    |
| Hexagonal key size for grub screw - H     | 3.175 mm                     |
| Category                                  | Insert Bearings Spherical OD |
| Inventory                                 | 0.0                          |



## SNR Bearing Argentina

|                          |   |
|--------------------------|---|
| Manufacturer Name        | SKF   |
| Minimum Buy Quantity     | N/A   |
| Weight / Kilogram        | 0.14  |
| Product Group            | M06110  |
| Inner Race Profile       | Narrow Inner Ring   |
| Outer Race Profile       | Spherical   |
| Relubricatable           | Yes   |
| Seal Type                | M Seal  |
| Mounting Method          | Set Screw   |
| Rolling Element          | Ball Bearing  |
| Snap Ring                | No  |
| Long Description         | 1" Bore; Narrow Inner Ring; Ball Bearing; 1.071" Length Thru Bore; 0.591" Outer Race Width; 2.047" Outside Diameter; Relubricatable; M Seal Seal; Set Screw Mounting Method |
| Inch - Metric            | Inch  |
| Other Features           | Single Row   Standard Duty   Grub Screw   |
| Category                 | Insert Bearings   |
| UNSPSC                   | 31171536  |
| Harmonized Tariff Code   | 8482.10.50.00   |
| Noun                     | Bearing   |
| Keyword String           | Insert  |
| Manufacturer URL         | <a href="http://www.skf.com">http://www.skf.com</a>   |
| Manufacturer Item Number | YAT 205-100   |
| Weight / LBS             | 0.309   |
| Bore                     | 1 Inch   25.4 Millimeter  |
| Length Thru Bore         | 1.071 Inch   27.203 Millimeter  |
| Outer Race Width         | 0.591 Inch   15.011 Millimeter  |
| Outside Diameter         | 2.047 Inch   51.994   |



## SNR Bearing Argentina

|  | Millimeter |
|--|------------|
| bore diameter:                               | 1.0000 in  |
| locking device:                              | Set Screw  |
| outside diameter:                            | 52 mm      |
| radial dynamic load capacity:                | 14 kN      |
| outer ring width:                            | 15 mm      |
| radial static load capacity:                 | 7.8 kN     |
| inner ring width:                            | 27.2 mm    |
| finish/coating:                              | Uncoated   |
| bore type:                                   | Round      |
| maximum rpm:                                 | 7000 RPM   |
| $d_1$  | 33.74 mm   |
| $B_4$  | 5 mm       |
| $r_{1,2}$ min.                               | 0.6 mm     |
| $s_1$  | 19.5 mm    |
| Basic dynamic load rating C                  | 14 kN      |
| Basic static load rating $C_0$               | 7.8 kN     |
| Fatigue load limit $P_u$                     | 0.335 kN   |
| Limiting speed <sup>1)</sup>                 | 7000 r/min |
| Calculation factor $f_0$                     | 14         |
| Mass complete bearing                        | 0.16 kg    |
| Thread grub screw $G_2$                      | 1/4-28 UNF |
| Hexagonal key size for grub screw N          | 3.175 mm   |
| Recommended tightening torque for grub screw | 4 N · m    |