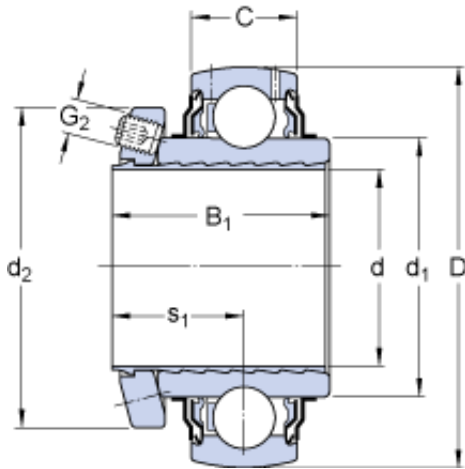




# SNR Bearing Argentina



YSP 211-203 SB-2F Bearing 2D drawings and 3D CAD models

## skf YSP 211-203 SB-2F Insert bearings (Y-bearings)

Bearing No. YSP 211-203 SB-2F

Size	100x55.562x49 mm
Bore Diameter	100 mm
Outer Diameter	55,562 mm
Width	49 mm
d	55.562 mm
D	100 mm
B <sub>1</sub>	49 mm
C	25 mm
d <sub>1</sub>	69.06 mm
d <sub>2</sub>	77.6 mm
s <sub>1</sub>	29 mm
Basic dynamic load rating - C	43.6 kN
Basic static load rating - C <sub>0</sub>	29 kN
Fatigue load limit - P <sub>u</sub>	1.2 kN
Limiting speed	3600 r/min
Calculation factor - f <sub>0</sub>	14
Mass bearing	0.97 kg
Thread - G <sub>2</sub>	M6
Hexagonal key size for grub screw - H	3 mm
B <sub>1</sub>	49.2 mm
d <sub>1</sub>	69.06 mm
d <sub>2</sub>	77.6 mm
s <sub>1</sub>	29.2 mm



## SNR Bearing Argentina

Basic dynamic load rating C	43.6 kN
Basic static load rating $C_0$	29 kN
Fatigue load limit $P_u$	1.25 kN
Limiting speed <sup>1)</sup>	3600 r/min
Calculation factor $f_0$	14
Mass complete bearing	0.97 kg
Thread grub screw $G_2$	M6
Hexagonal key size for grub screw N	3.05 mm
Recommended tightening torque for grub screw	7.4 N · m