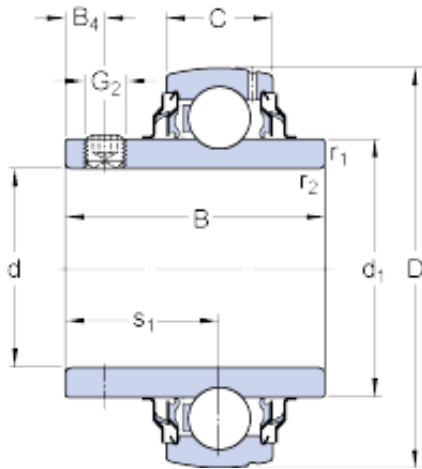




SNR Bearing Argentina



49.213 mm x 90 mm x 51.6 mm skf YAR
210-115-2RF/HV Insert bearings (Y-bearings)

Bearing No. YAR 210-115-2RF/HV

YAR 210-115-2RF/HV Bearing 2D drawings and 3D
CAD models

Size	90x49.213x51.6 mm
Bore Diameter	90 mm
Outer Diameter	49,213 mm
Width	51,6 mm
d	49.213 mm
D	90 mm
B	51.6 mm
C	22 mm
d ₁	62.51 mm
B ₄	9 mm
r _{1,2} - min.	1 mm
s ₁	32.6 mm
Basic dynamic load rating - C	29.6 kN
Basic static load rating - C ₀	23.2 kN
Fatigue load limit - P _u	0.98 kN
Limiting speed with shaft tolerance h6	2200 r/min
Calculation factor - f ₀	14
Mass bearing	0.78 kg
Thread - G ₂ - 3/8-24 UNF	3/824 UNF
Hexagonal key size for grub screw - H	4.762 mm
d ₁	62.51 mm
B ₄	9 mm



SNR Bearing Argentina

$r_{1,2}$ min.	1 mm
s_1	32.6 mm
Basic dynamic load rating C	29.6 kN
Basic static load rating C_0	23.2 kN
Fatigue load limit P_u	0.98 kN
Limiting speed ¹⁾	2200 r/min
Calculation factor f_0	14
Mass complete bearing	0.79 kg
Thread grub screw G_2	3/8-24 UNF
Hexagonal key size for grub screw N	4.763 mm
Recommended tightening torque for grub screw	16.5 N · m