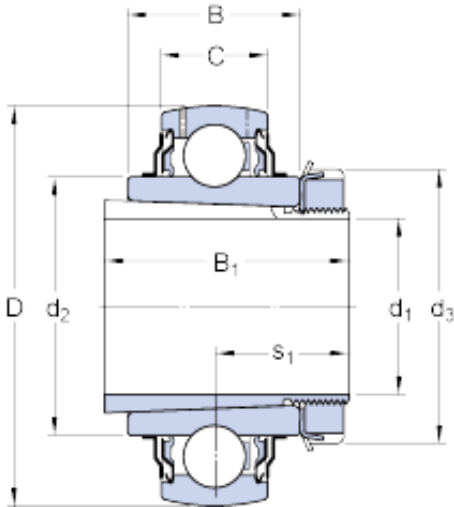




SNR Bearing Argentina



45 mm x 90 mm x 37 mm skf YSA 210-2FK + H 2310 Insert bearings (Y-bearings)

Bearing No. YSA 210-2FK + H 2310

YSA 210-2FK + H 2310 Bearing 2D drawings and 3D CAD models

Size	90x45x55 mm
Bore Diameter	90 mm
Outer Diameter	45 mm
Width	55 mm
d_1	45 mm
D	90 mm
B_1	55 mm
B	37 mm
C	22 mm
d_2	62.51 mm
d_3	70 mm
s_1 - ?	31.1 mm
Basic dynamic load rating - C	35.1 kN
Basic static load rating - C_0	23.2 kN
Fatigue load limit - P_u	0.98 kN
Limiting speed	4000 r/min
Calculation factor - f_0	14
d	45 mm
B_1	55 mm
d_1	62.51 mm
d_3	70 mm
s_1	31.1 mm
Basic dynamic load rating C	35.1 kN
Basic static load rating C_0	23.2 kN



SNR Bearing Argentina

Fatigue load limit P_u	0.98 kN
Limiting speed ¹⁾	4000 r/min
Calculation factor f_0	14
Mass bearing + adapter sleeve	0.97 kg
Associated spanner	HN 10-11
Recommended lock nut tightening angle	115 °