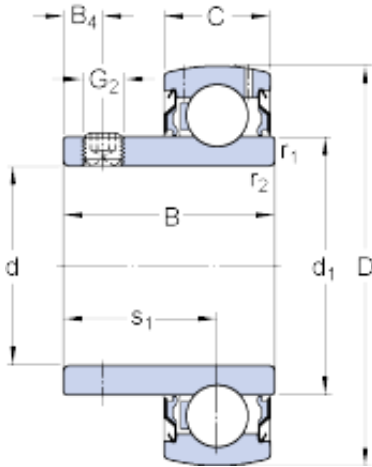




SNR Bearing Argentina



74.613 mm x 130 mm x 53.5 mm skf YAT
215-215 Insert bearings (Y-bearings)

Bearing No. YAT 215-215

YAT 215-215 Bearing 2D drawings and 3D CAD models

Size	130x74.613x53.5 mm
Bore Diameter	130 mm
Outer Diameter	74,613 mm
Width	53,5 mm
d	74.613 mm
D	130 mm
B	53.5 mm
C	29 mm
d ₁	92.05 mm
B ₄	9.5 mm
r _{1,2} - min.	1.5 mm
s ₁	39 mm
Basic dynamic load rating - C	66.3 kN
Basic static load rating - C ₀	49 kN
Fatigue load limit - P _u	2 kN
Limiting speed with shaft tolerance h6	2600 r/min
Calculation factor - f ₀	15
Mass bearing	2.1 kg
Thread - G ₂ - 3/8-24 UNF	3/824 UNF
Hexagonal key size for grub screw - H	4.762 mm
Category	Insert Bearings Spherical OD
Inventory	0.0



SNR Bearing Argentina

Manufacturer Name	SKF
Minimum Buy Quantity	N/A
Weight / Kilogram	1.997
Product Group	M06110
Inner Race Profile	Narrow Inner Ring
Outer Race Profile	Spherical
Relubricatable	Yes
Seal Type	M Seal
Mounting Method	Set Screw
Rolling Element	Ball Bearing
Snap Ring	No
Long Description	2-15/16" Bore; Narrow Inner Ring; Ball Bearing; 2.106" Length Thru Bore; 1.142" Outer Race Width; 5.118" Outside Diameter; Relubricatable; M Seal Seal; Set Screw Mounting Method
Inch - Metric	Inch
Other Features	Single Row Standard Duty Grub Screw
Category	Insert Bearings
UNSPSC	31171536
Harmonized Tariff Code	8482.10.50.00
Noun	Bearing
Keyword String	Insert
Manufacturer URL	http://www.skf.com
Manufacturer Item Number	YAT 215-215
Weight / LBS	3.86
Outside Diameter	5.118 Inch 129.997 Millimeter
Outer Race Width	1.142 Inch 29.007 Millimeter
Bore	2.938 Inch 74.625 Millimeter



SNR Bearing Argentina

Length Thru Bore	2.106 Inch 53.492 Millimeter
d_1	92.05 mm
B_4	9.5 mm
$r_{1,2}$ min.	1.5 mm
s_1	39 mm
Basic dynamic load rating C	66.3 kN
Basic static load rating C_0	49 kN
Fatigue load limit P_u	2.04 kN
Limiting speed ¹⁾	2600 r/min
Calculation factor f_0	15
Mass complete bearing	1.75 kg
Thread grub screw G_2	3/8-24 UNF
Hexagonal key size for grub screw N	4.763 mm
Recommended tightening torque for grub screw	16.5 N · m